

DuCoNite25

Bredel DuCoNite® pumps

Bredel

Hose Pumps

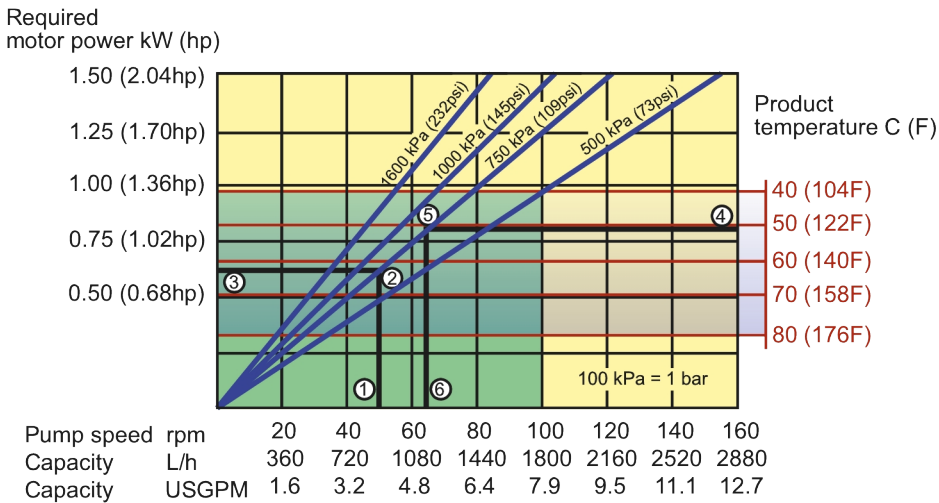
Features and benefits

- Dry running and self-priming
- Suction capability up to 9.5 mWC (374 inWC)
- Simple hose change decreases cost of ownership, downtime and need for parts inventory
- “Beyond the hose” protection against common water and waste water treatment chemicals
- Paint-free pump housing perfect for wash-down in the food industry
- No slippage, allowing true positive displacement for accurate, repeatable metering
- No ancillary equipment, check valves, sealing water flush systems or run-dry protection required
- Fully reversible to blow out suction and drain lines safely



DuCoNite25 performance

DuCoNite 25



1. Flow required indicates pump speed
2. Calculated discharge pressure
3. Net motor power required
4. Product temperature
5. Calculated discharge pressure
6. Maximum recommended pump speed

Note: The area of continuous operation diminishes with increased product temperatures. For product temperatures >40C, the area of continuous operation reduces to the corresponding red temperature line.

- Continuous duty
- Intermittent duty

* Maximum 3 hours operation followed by minimum 1 hour stop

Technical specifications

	DuCoNite25
Max. flow rate continuous	1800 L/h
Max. flow rate continuous	475 USGPH
Max. flow rate intermittent	2740 L/h
Max. flow rate intermittent	723 USGPH
Volume per revolution	0.3 L
Volume per revolution	0.079 USG
Max. continuous operating speed	100 rpm
Max. intermittent operating speed	155 rpm
Max. operating pressure	16 bar
Max. operating pressure	232 psi
Suction pressure	0.05 bar abs
Suction pressure	0.73 psi abs
Max. inlet pressure	3.5 bar abs
Max. inlet pressure	51 psi abs
Max. suction capability	9.5 mWC
Max. suction capability	374 inWC
Operating temperature range	-20 °C to 45 °C
Operating temperature range	-4 °F to 113 °F
Fluid temperature range	-20 °C to 80 °C
Fluid temperature range	-4 °F to 176 °F
Min. starting torque	115 N m
Min. starting torque	1018 in.lbs
Weight	90 kg
Weight	198 lbs
Hose lubricant required	2.5 L
Hose lubricant required	0.66 USG
Port configurations	Down, Left, Right, Up
Compatible hose materials	CSM, EPDM, F-NBR, NBR, NBR for food, NR, NR-Metering, NR-Transfer
Flange assembly type	ANSI, DIN

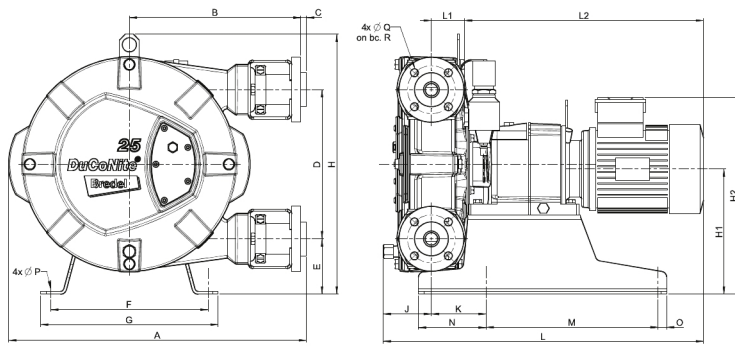
Please consult your Bredel representative for lower or higher temperature operation.

Allowable ambient temperature is based on pump capabilities and may be further limited by gearbox ambient capabilities.

Materials of construction

	DuCoNite25
Hose material	CSM, EPDM, F-NBR, Natural rubber (NR), NBR, NBR for food, NR-Metering, NR-Transfer
Housing	Cast iron with DuCoNite surface treatment
Rotor assembly	Cast iron with DuCoNite surface treatment
Cover assembly	Cast iron with DuCoNite surface treatment
Brackets and fasteners	Stainless steel 316
Support frame	Stainless steel 316
Hose clamps	Stainless steel 316
Seals	EPDM, Viton®

DuCoNite25 dimensions



Type	A	B	C	D	E	F	G	H	H1	H2max	J	K	Lmax	L1	L2max	M	N	O	ØP	ØQ	R
DuCoNite 25 (mm)	521	304	2.5	264	98	279	315	460	222	359	66	97	592	58	468	305	120	15	12	14	85
DuCoNite 25 (inches)	20.5	12	0.09	10.4	3.9	11	12.4	18.1	8.7	14.1	2.6	3.8	23.3	2.3	18.4	12	4.7	0.6	0.47	0.6	3.3
Connector sizes								ANSI 150#					EN DIN				JIS				
DuCoNite 25								1"					25mm				25mm				

Disclaimer: The information contained in this document is believed to be correct at the time of publication, but Watson-Marlow Bredel BV accepts no liability for any error it contains, and reserves the right to alter specifications without prior notice. All mentioned values in this document are values under controlled circumstances at our test bed. Actual flow rates achieved may vary because of changes in temperature, viscosity, inlet and discharge pressures and/or system configuration. APEX, DuCoNite, Bioprene and Bredel are registered trademarks.

wmfts.com/global



23 November 2023